

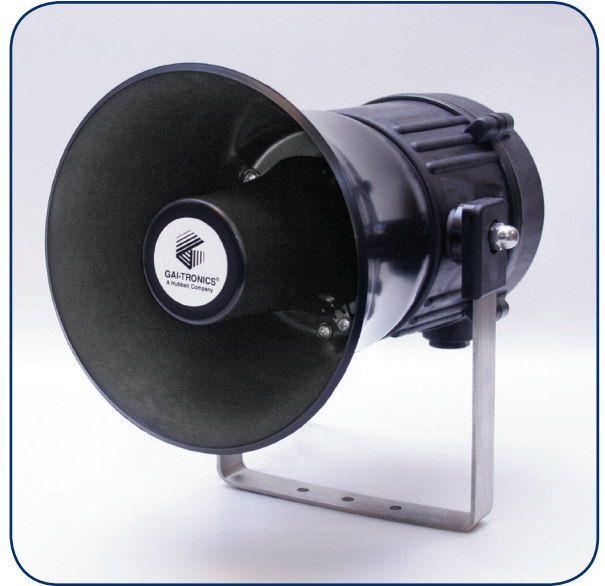
UL Division 2, 15 Watt Speakers

13380-001 to 13380-004 Series



The 13380-001 to 13380-004 Series Loudspeakers are heavy duty, high output loudspeakers ideal for broadcasting speech announcements and electronic alarm tones in hazardous environments with high ambient noise levels.

- ◆ UL Class I, Division 2
- ◆ ABS Type Approved



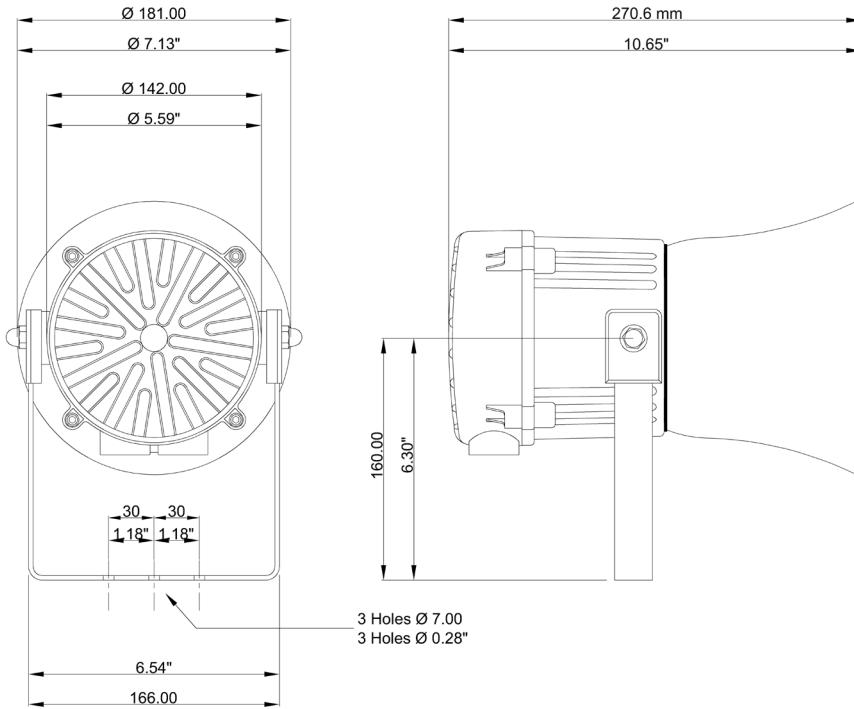
PART#	DESCRIPTION
13380-001.....	8 ohm 15 watt
13380-002.....	16 ohm 15 watt
13380-003.....	70V 15 watt
13380-004.....	100V 15 watt
412B	Speaker Mounting Assembly

SPECIFICATIONS

Frequency Response	400 Hz to 8000 Hz	Weight	13380-001 & -002: 5.5 lbs (2.5 kg)
Power Handling.....	15 Watts RMS		13380-003 & -004: 6.6 lbs (3 kg)
SPL.....	108dB +/- 3dB @ 1w @ 1m – Pink Noise	Material	UL94V0 PPS & ABS with 316 stainless steel bracket
	118dB +/-3dB @ 15w @ 1 m (Rated Power)	Cable Entries.....	2 x 1/2" NPT
Models	13380-001 – 8 ohms	Terminals.....	0.5 to 2.5mm ²
	13380-002 – 16 ohms	Dimensions.....	.7.13" (181.1 mm) diameter
	13380-003 – 70V		x 10.75" (273.1 mm) long
	13380-004 – 100V	Approvals.....	Class I, Div 2, ABCD T4 (135° C) at +55° C
Transformer.....	13380-003; 70.7V; 1, 3, 7.5, and 15 watts		Class I, Div 2, ABCD T4A (120° C) at +40° C
	13380-004; 100V; 1, 3, 7.5, and 15 watts		Class II, Div 2, FG T6 (85° C) at +55° C
Dispersion.....	120° @ 1 kHz		Class III, Div 1 & 2, T6 (85° C) at +55° C
Operation Temperature Range	-20° C to + 55° C		UL File: E165792
Weatherproof Rating.....	NEMA Type 4, 4X, 13		UL1480 & 1480A
			ABS Type Approval

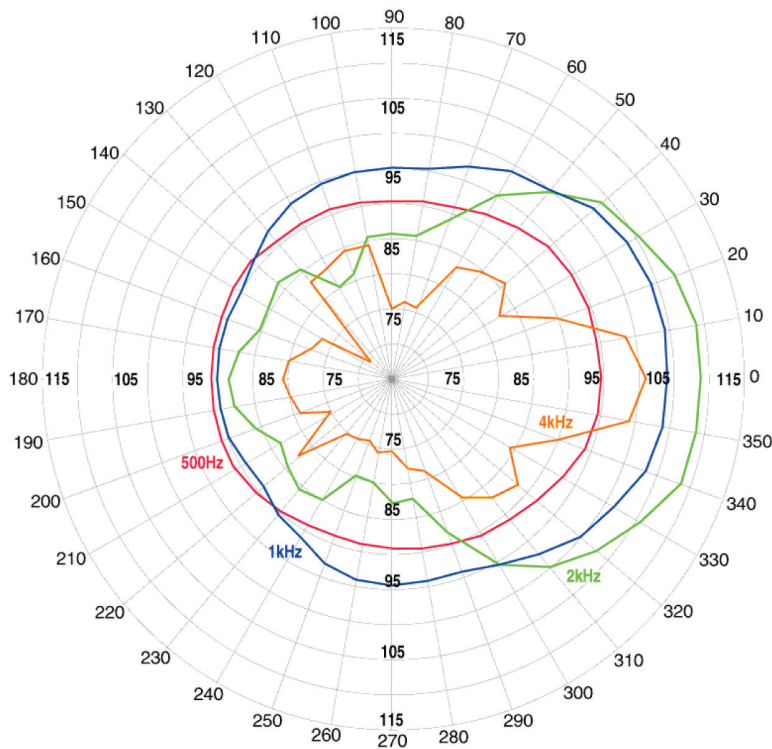
UL Division 2, 15 Watt Speakers

13380-001 to 13380-004 Series



Pictured Left: Dimensional Drawing

Pictured Below: Polar Plot



USA Toll Free 1 (800) 492-1212 Tel (610) 777-1374
UK Tel +44 (0)1283 500500
Italy Tel +39 02 48601460
Asia Tel +(65) 6282 2242 (Press 4 for GAI-TRONICS)
Australia Tel 011-61-28-851-5000

Visit Our Website: www.gai-tronics.com

Quality Management System Certified by DNV-GL - ISO 9001:2015. The policy of GAI-TRONICS is one of continuous improvement; therefore the company reserves the right to change specifications without notice.

